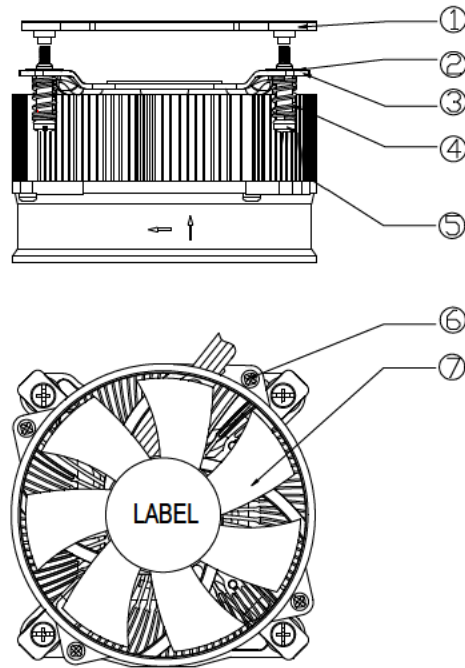




CWC Group dBA CoolerOne

Specification for Item# 16874

• Component List & Drawing



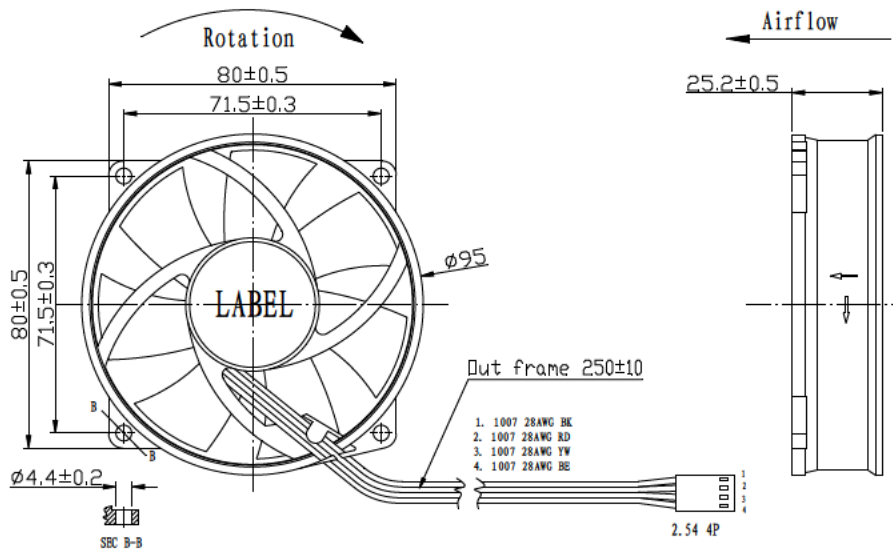
NO.	Part Name	Material	Color	The amount	Note
1	Backplate	PPS & Fe	Black & Silver	1	
2	Washer	Manganese steel	Silver	4	
3	Foot rest	SK7	Silver	1	
4	Spring	SWC	Silver	4	
5	Screws(A)	A3	Silver	4	
6	Screws(B)	A3	Black	4	
7	FAN	Plastic	Black	1	



CWC Group dBA CoolerOne

Specification for Item# 16874

· FAN Parameter & Drawing



· GENERAL SPECIFICATION

ITEM		SPECIFICATION/CONDITION
A-1	Part No.	CWC-16874
A-2	Outline Dimension	95*95*25 MM
A-3	Rated Voltage	12 VDC
A-4	Rated Current	0.35 A, 0.44 A (Max.)
A-5	Power Consumption	4.2 W, 5.28 W (Max.)
A-6	Rated Speed (Added Heat sink To Fan)	1000±25%~3500±10%RPM
A-7	Rated Speed	1000±25%~3400±10%RPM
A-8	Airflow	19.27~65.61 CFM
A-9	Static Pressure	0.02~0.17 InchH2O
A-10	Noise Level(Fan)	<1.4~<28 dBA
A-11	No. of Pole	4 Pole
A-12	Rotation Direction	Counter-Clockwise
A-13	BEARING TYPE	EL BEARING
A-14	Life Time (Ambient Temp: 25°C)	40,000 HOURS

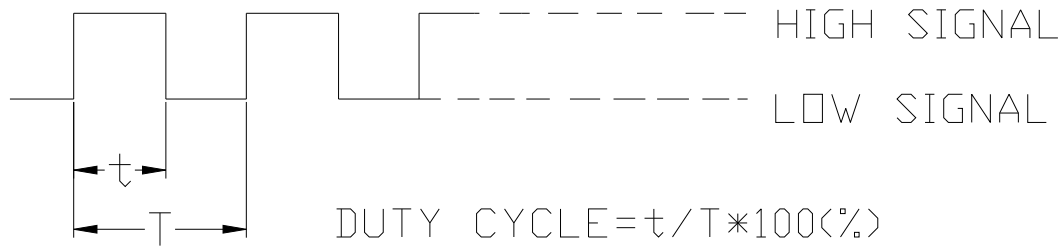


CWC Group dBA CoolerOne

Specification for Item# 16874

PWM CONTROL SIGNAL:

Signal Voltage Range:-0.8-20VDC.



.The frequency for control signal of the fan shall be able to accept a 18KHZ-32KHZ.

The preferred operating point for the fan is 25k HZ.

At 100% duty cycle ,The rotor will spin at maximum speed.

At 0% duty cycle, The rotor will spin.

At 25KHZ 20% duty cycle ,The fan will be able to star from a dead stop.

SPEED VS PWM CONTROL SIGNAL:

(AT RATED VOLTAGE & PWM FREQUENCY=25KHZ)

DUTY CYCLE(%)	SPEED.PWM(REF)	CURRENT(A)TYP
100	3400±10%	0.4
75	3000±10%	0.18
50	2500±15%	0.07
25	1800±20%	0.04
0	1000±25%	0.04