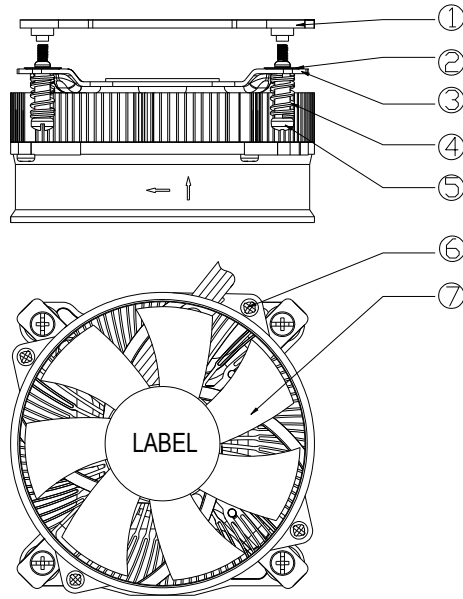




CWC Group dBA CoolerOne

Specification for Item# 16885

• Component List & Drawing

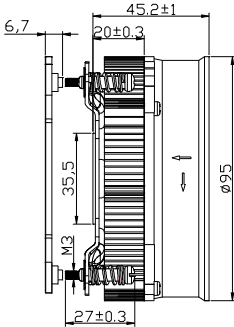
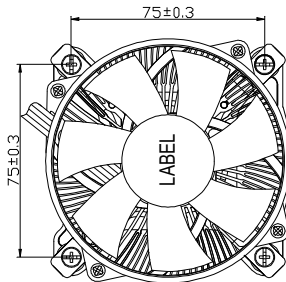


NO.	Part Name	Material	Color	The amount	Note
1	Backplate	PPS & Fe	Black & Silver	1	
2	Washer	Manganese steel	Silver	4	
3	Foot rest	SK7	Silver	1	
4	Spring	SWC	Silver	4	
5	Screws(A)	A3	Silver	4	
6	Screws(B)	A3	Black	4	
7	FAN	Plastic	Black	1	



CWC Group dBA CoolerOne

Specification for Item# 16885

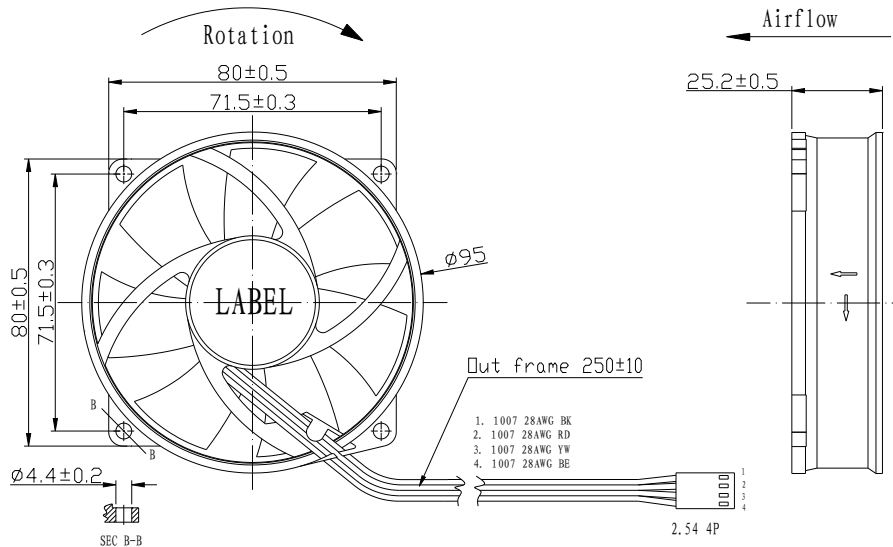
1	2	3	4	5	H	G	F	E	D	C	B	A																																
																																												
																																												
<p>NOTE:</p> <ol style="list-style-type: none"> 1. REAMARK: KEY MEASURE MENT II. 2. REMOVE THE BURRS AND HAVE NO DISTORTION. 																																												
CWC																																												
<table border="1" style="width: 100%; border-collapse: collapse;"> <thead> <tr> <th colspan="2">Tolerance</th> <th colspan="2">Specification</th> </tr> </thead> <tbody> <tr> <td>Dimension</td> <td></td> <td></td> <td></td> </tr> <tr> <td>1.00~4MM</td> <td>±0.03</td> <td>±0.1</td> <td>±0.3</td> </tr> <tr> <td>4.01~15MM</td> <td>±0.07</td> <td>±0.2</td> <td>±0.5</td> </tr> <tr> <td>15.01~60MM</td> <td>±0.1</td> <td>±0.3</td> <td>±0.7</td> </tr> <tr> <td>60.01~250MM</td> <td>±0.2</td> <td>±0.5</td> <td>±1.2</td> </tr> <tr> <td>250.01~1000MM</td> <td>±0.3</td> <td>±0.8</td> <td>±2.2</td> </tr> <tr> <td>Grade</td> <td>I</td> <td>II</td> <td>III</td> </tr> </tbody> </table>													Tolerance		Specification		Dimension				1.00~4MM	±0.03	±0.1	±0.3	4.01~15MM	±0.07	±0.2	±0.5	15.01~60MM	±0.1	±0.3	±0.7	60.01~250MM	±0.2	±0.5	±1.2	250.01~1000MM	±0.3	±0.8	±2.2	Grade	I	II	III
Tolerance		Specification																																										
Dimension																																												
1.00~4MM	±0.03	±0.1	±0.3																																									
4.01~15MM	±0.07	±0.2	±0.5																																									
15.01~60MM	±0.1	±0.3	±0.7																																									
60.01~250MM	±0.2	±0.5	±1.2																																									
250.01~1000MM	±0.3	±0.8	±2.2																																									
Grade	I	II	III																																									
<table border="1" style="width: 100%; border-collapse: collapse;"> <thead> <tr> <th>NAME</th> <th>Model</th> <th>PIC.NO</th> <th>PART.NO</th> <th>SAVE</th> <th>Material</th> <th>Units</th> <th>Scale</th> <th>Material</th> </tr> </thead> <tbody> <tr> <td></td> <td></td> <td></td> <td></td> <td></td> <td></td> <td>mm</td> <td>1:2</td> <td></td> </tr> <tr> <td></td> <td></td> <td></td> <td></td> <td></td> <td></td> <td></td> <td></td> <td></td> </tr> </tbody> </table>													NAME	Model	PIC.NO	PART.NO	SAVE	Material	Units	Scale	Material							mm	1:2															
NAME	Model	PIC.NO	PART.NO	SAVE	Material	Units	Scale	Material																																				
						mm	1:2																																					
1	2	3	4	5	H	G	F	E	D	C	B	A																																



CWC Group dBA CoolerOne

Specification for Item# 16885

· FAN Parameter & Drawing



· GENERAL SPECIFICATION

ITEM		SPECIFICATION/CONDITION
A-1	Part No.	CWC-16885
A-2	Outline Dimension	95*95*25 MM
A-3	Rated Voltage	12 VDC
A-4	Rated Current	0.35 A, 0.44 A (Max.)
A-5	Power Consumption	4.2 W, 5.28 W (Max.)
A-6	Rated Speed (Added Heat sink To Fan)	1000±25%~3500±10%RPM
A-7	Rated Speed	1000±25%~3400±10%RPM
A-8	Airflow	19.27~65.61 CFM
A-9	Static Pressure	0.02~0.17 InchH2O
A-10	Noise Level(Fan)	<1.4~<28 dBA
A-11	No. of Pole	4 Pole
A-12	Rotation Direction	Counter-Clockwise
A-13	BEARING TYPE	EL BEARING
A-14	Life Time (Ambient Temp: 25°C)	40,000 HOURS

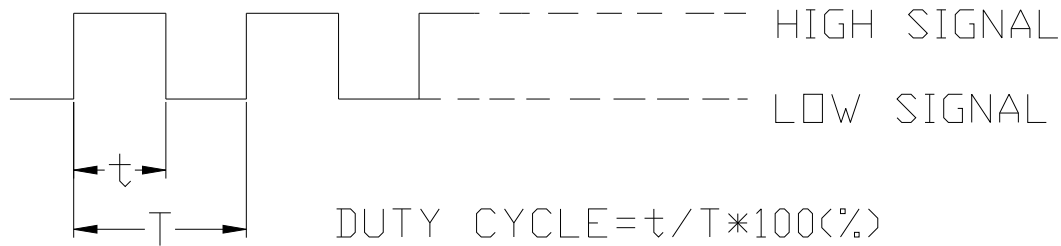


CWC Group dBA CoolerOne

Specification for Item# 16885

PWM CONTROL SIGNAL:

Signal Voltage Range:-0.8-20VDC.



.The frequency for control signal of the fan shall be able to accept a 18KHZ-32KHZ.

The preferred operating point for the fan is 25k HZ.

At 100% duty cycle ,The rotor will spin at maximum speed.

At 0% duty cycle, The rotor will spin.

At 25KHZ 20% duty cycle ,The fan will be able to star from a dead stop.

SPEED VS PWM CONTROL SIGNAL:

(AT RATED VOLTAGE & PWM FREQUENCY=25KHZ)

DUTY CYCLE(%)	SPEED.PWM(REF)	CURRENT(A)TYP
100	3400±10%	0.4
75	3000±10%	0.18
50	2500±15%	0.07
25	1800±20%	0.04
0	1000±25%	0.04